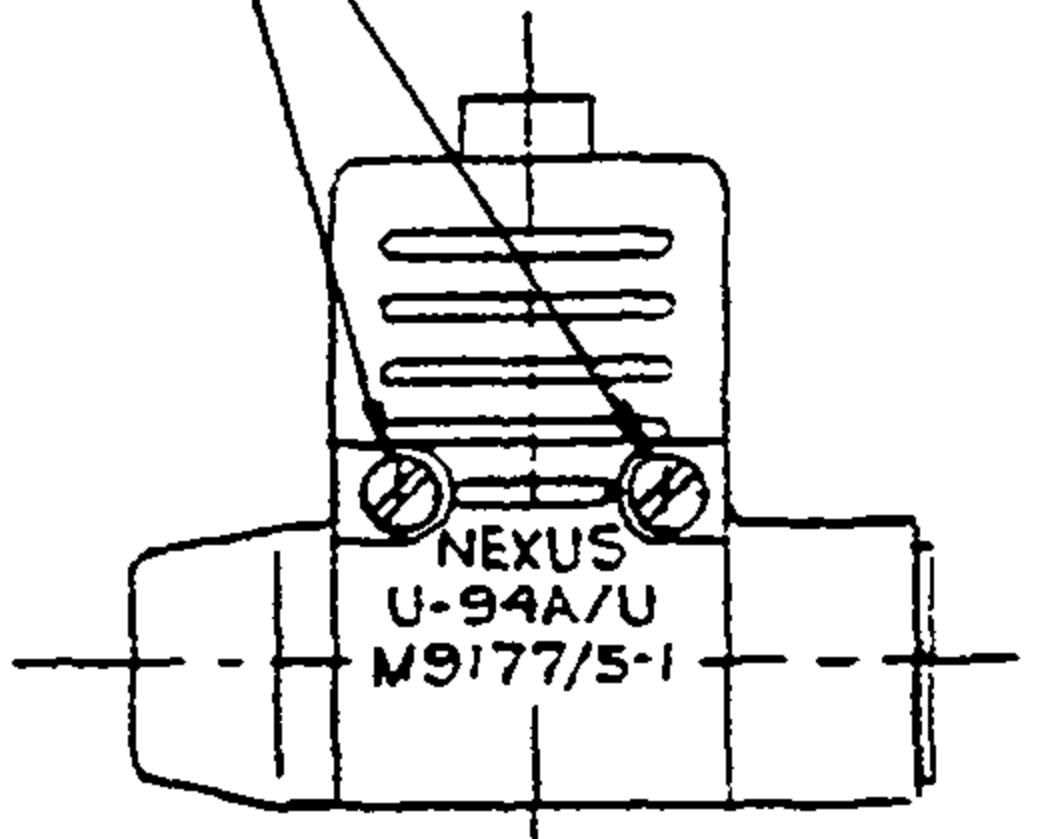
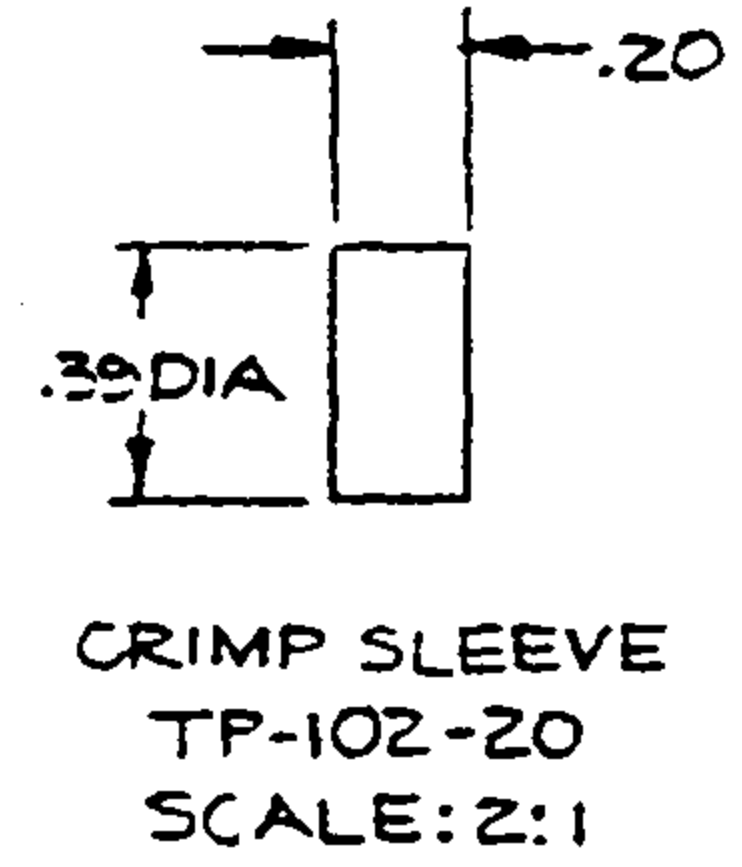
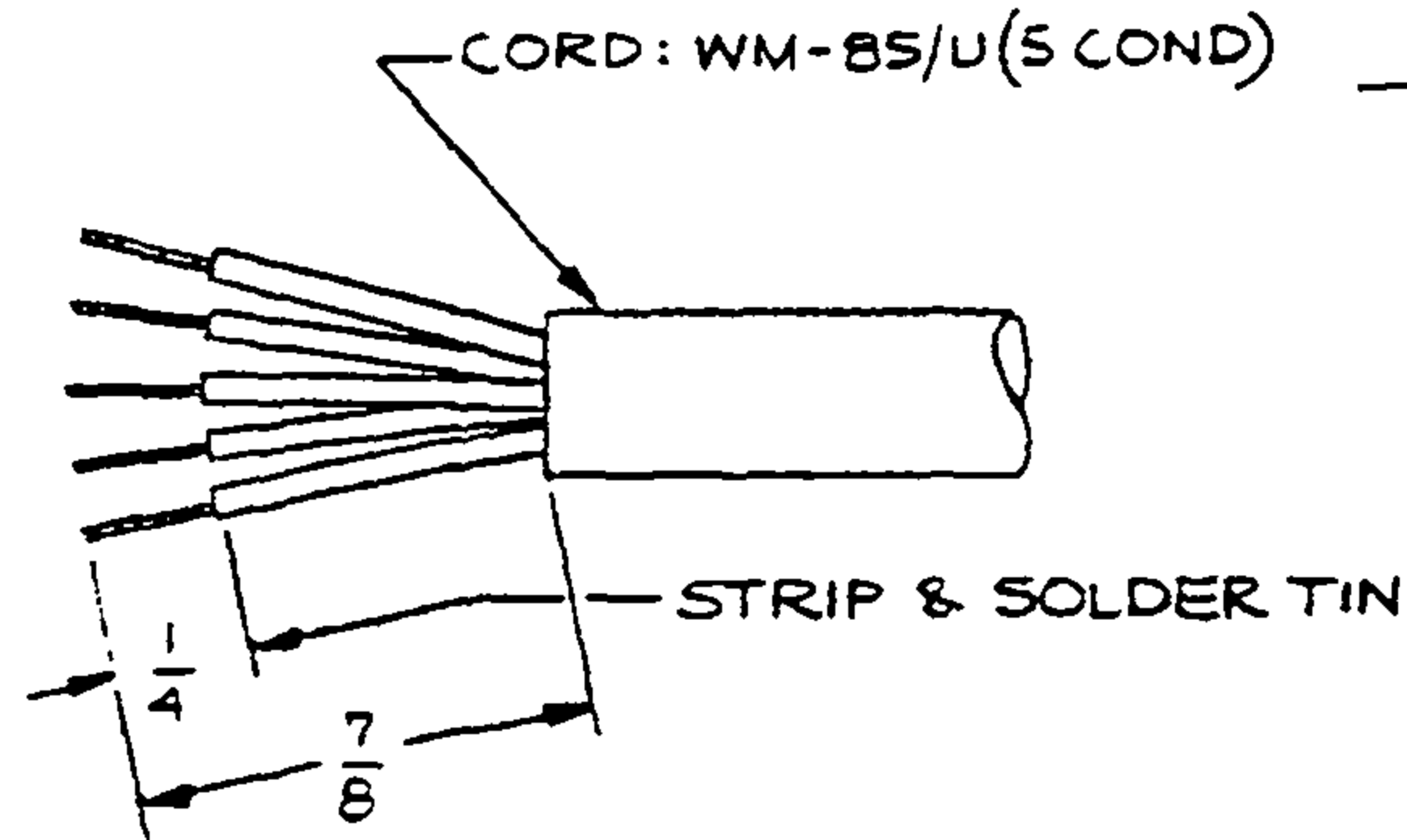
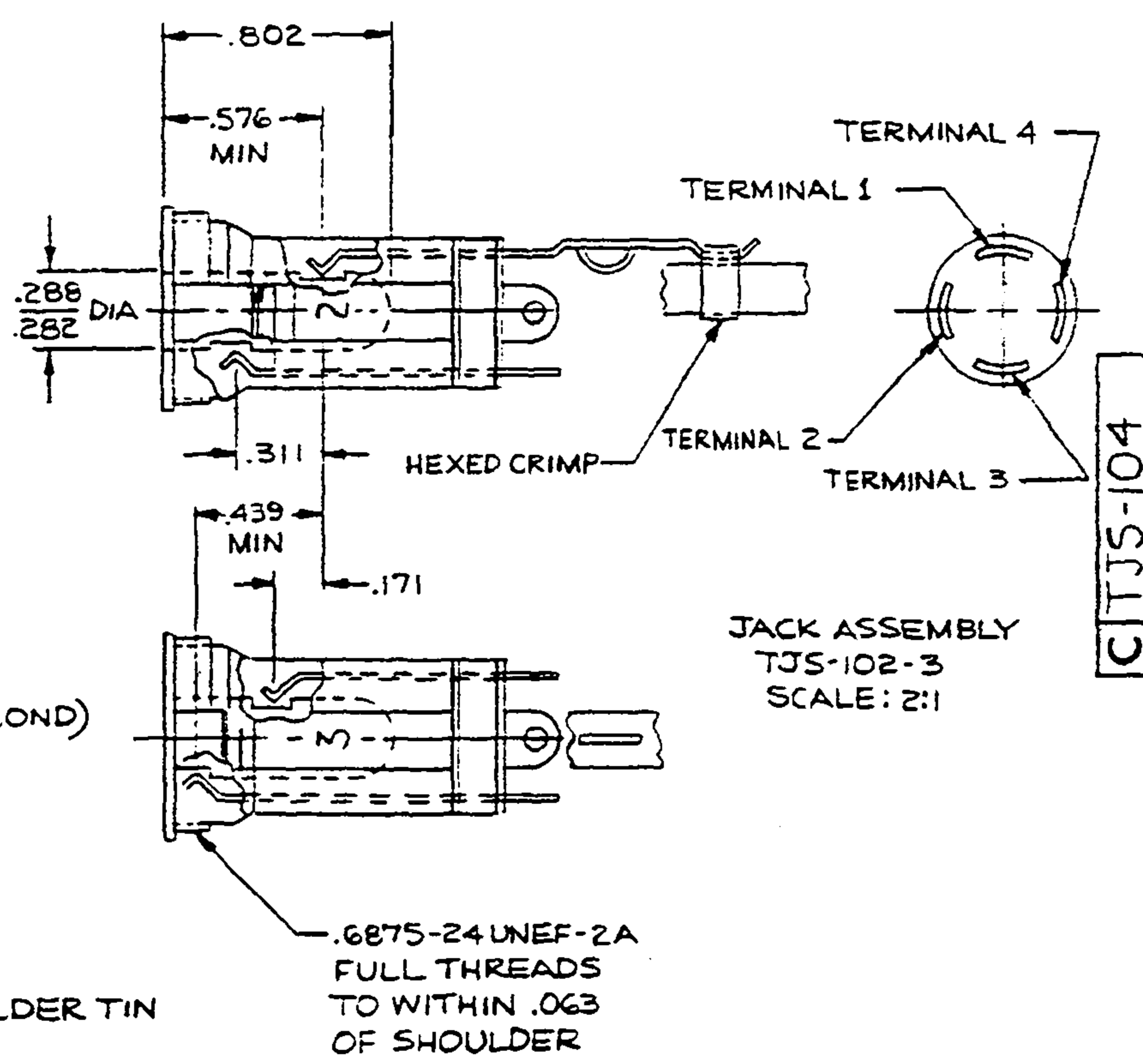
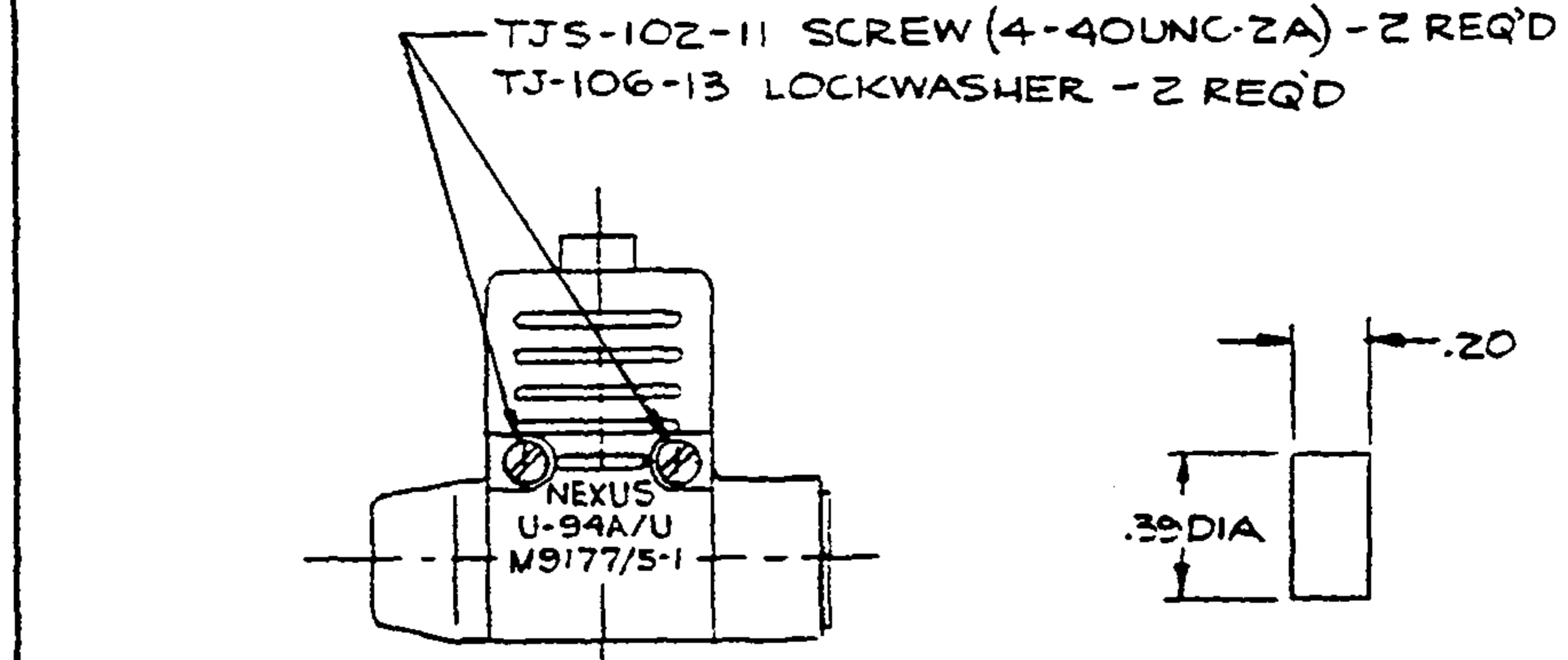


- NOTES:
1. EACH PART SHALL BE MARKED WITH U-94A/U & M9177/5-1.
 2. PART SHALL BE ON QUALIFIED PRODUCT LIST FOR MIL-C-9177/5A.
 3. CRIMPING TOOLS USE M22520/5-01 HAND TOOL W/CRIMP DIE M22520/5-29, M22520/5-35 OR M22520/5-55.
 4. MATING CONNECTORS M9177/1-1 & M9177/2-1.

THIS DOCUMENT CONTAINS PROPRIETARY INFORMATION OF NEXUS, INCORPORATED AND SUCH INFORMATION MAY NOT BE DISCLOSED TO OTHERS FOR ANY PURPOSE OR USED FOR ANY PURPOSE WITHOUT THE WRITTEN CONSENT OF NEXUS.



C/TJS-104

DESIGN BY IDH	DATE 3-16-51	MATERIAL	
COVERAGE BY Mr. T	.. T	FINISH	SCALE 1:1 & NOTED
APPROVED BY		WEIGHT	
UNLESS OTHERWISE SPECIFIED DIMENSIONS ARE IN INCHES FRACTIONS DECIMALS MILLI		TITLE CONNECTOR, AUDIO AIRBORNE, JACK, SWITCH, 4 CONTACT	
		DO NOT SCALE DIM.	
SHEET		OF	
		NEXUS STAMFORD, CONN.	
		C TJS-104	

Mouser Electronics

Authorized Distributor

Click to View Pricing, Inventory, Delivery & Lifecycle Information:

[Amphenol:](#)

[TJS-104](#) [M9177/5-1](#)