

Product Data Sheet

Motorcycle Antenna

TETRA UHF

Motorcycle Antenna

- TETRA UHF
- Public Safety
- Omni Directional
- ROHS Compliant
- Vehicle Mount
- Motorbike



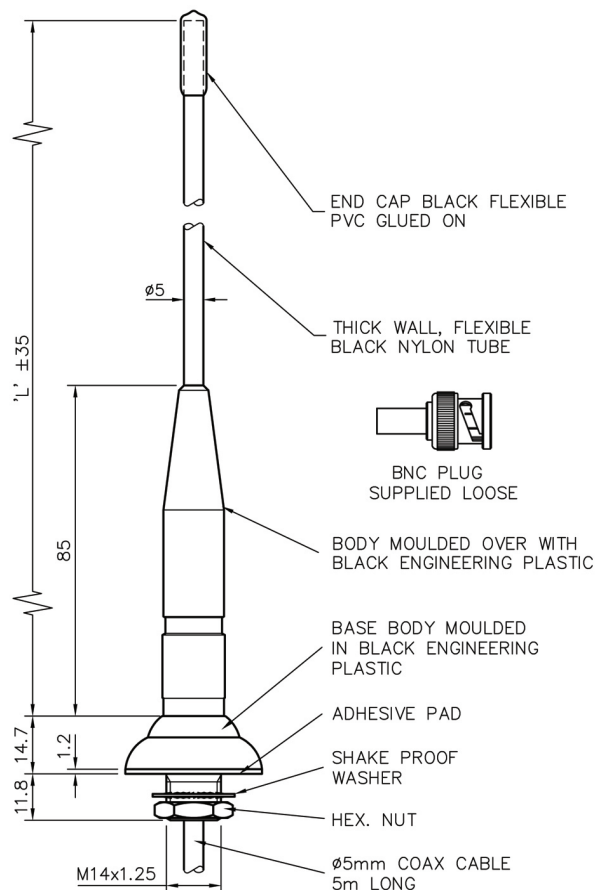
HM

- Rugged application
- Flexible whip
- Moulded coaxial cable

The HM range of antennas need a ground plane independent and can therefore be mounted on any surface. The antenna is ideal for motorcycles but can also be used on other vehicles or fixed sites.

The HM antenna range has a rugged design with a flexible nylon whip. The base is moulded in engineering plastic and mounting is with a M14 stud.

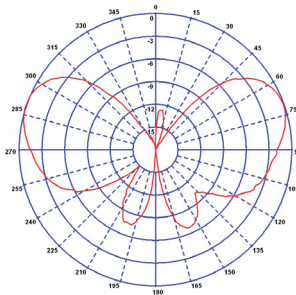
Technical Drawing



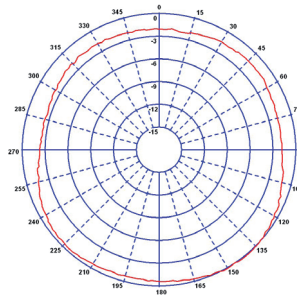
TETRA UHF

Motorcycle Antenna

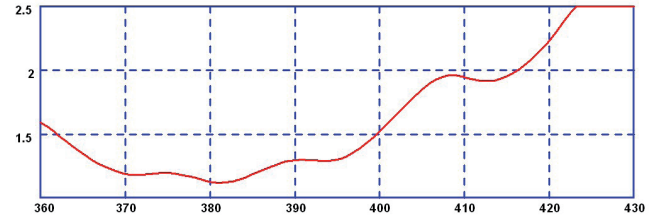
E-Plane (390MHz)



H-Plane (390MHz)



Typical VSWR



Part No.	HM-R1-5BL	HM-R2-5BL	HM-S1-5BL	HM-S2-5BL	HM-S4-5BL
Electrical Data					
Frequency Range (MHz)	300-334	350-370	380-400	410-430	450-470
Operational Band	R1	R2	S1	S2	S4
Gain: Isotropic	4dBi	4dBi	4dBi	4dBi	4dBi
Compared to ¼ wave	2dB	2dB	2dB	2dB	2dB
Bandwidth @ 2:1 VSWR	5%	5%	5%	5%	5%
Polarisation	Vertical	Vertical	Vertical	Vertical	Vertical
Pattern	Omni-directional	Omni-directional	Omni-directional	Omni-directional	Omni-directional
Impedance	50Ω	50Ω	50Ω	50Ω	50Ω
Max Input Power (W)	20	20	20	20	20
Mechanical Data					
Dimensions (mm)	Height	490	460	420	355
	Diameter	160	160	160	160
Operating Temp (°C)	-40° / +80°C	-40° / +80°C	-40° / +80°C	-40° / +80°C	-40° / +80°C
Material	Engineering plastic	Engineering plastic	Engineering plastic	Engineering plastic	Engineering plastic
Colour	Black	Black	Black	Black	Black
Mounting Data					
Fixing	Panel mount	Panel mount	Panel mount	Panel mount	Panel mount
Mounting hole size (mm)	15	15	15	15	15
Cable Data					
Type	C35	C35	C35	C35	C35
Thickness (mm)	5	5	5	5	5
Length (m)	5	5	5	5	5
Termination	Bare end with loose BNC Plug*	Bare end with loose BNC Plug*	Bare end with loose BNC Plug*	Bare end with loose BNC Plug*	Bare end with loose BNC Plug*

*Connector Configurations					
BNC (loose)	HM-R1-5BL	HM-R2-5BL	HM-S1-5BL	HM-S2-5BL	HM-S4-5BL
TNC (loose)	HM-R1-5TL	HM-R2-5TL	HM-S1-5TL	HM-S2-5TL	HM-S4-5TL
FME (fitted)	HM-R1-5F	HM-R2-5F	HM-S1-5F	HM-S2-5F	HM-S4-5F
Bare End	HM-R1-5	HM-R2-5	HM-S1-5	HM-S2-5	HM-S4-5

Panorama Antennas Ltd
Frogmore, London, SW18 1HF, United Kingdom

T: +44 (0)20 8877 4444
F: +44 (0)20 8877 4477

E: sales@panorama-antennas.com
www.panorama-antennas.com

PANORAMA  *ANTENNAS*