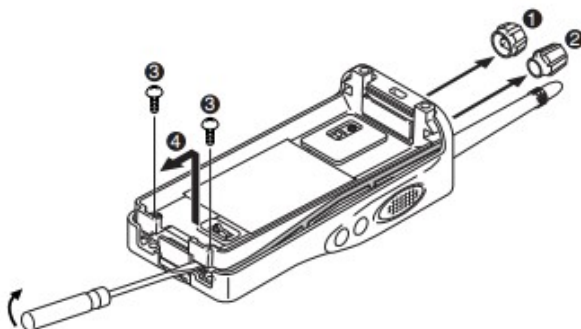


TK320I, TK330I Antenna Cover Replacement V1.1

DISASSEMBLY FOR REPAIR

■ Removing the case assembly from the chassis.

1. Remove the volume knob ① and channel knob ②.
2. Remove the two screws ③.
3. Lift and remove the chassis from the case assembly ④.
(Use a flat-blade screwdriver to easily lift the chassis.)

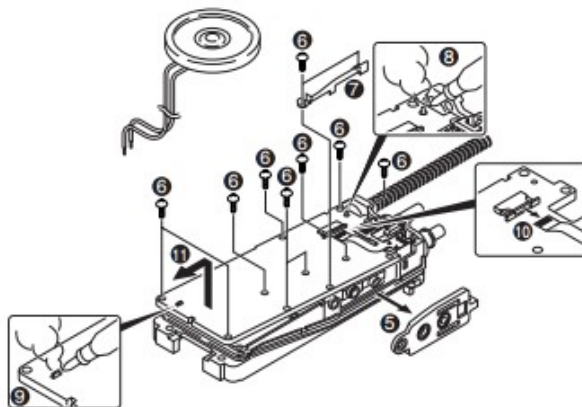


■ Removing the TX-RX unit from the chassis.

1. Remove the packing ⑤ from the SP / MIC jack of the TX-RX unit.
2. Remove the eleven screws ⑥ fixing the TX-RX unit.
3. Remove the fixing bracket ⑦ of the SP / MIC.
4. Remove the solder of the antenna terminal with a soldering iron ⑧.
5. Remove the solder of the positive terminal with a soldering iron ⑨.

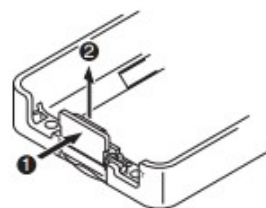
Note: You can remove the TX-RX unit from the chassis without removing the solder at the positive terminal. However, in this case, you can not attach the packing (G53-1605-03) that is on the positive terminal to the chassis in assembling. So, it is advisable to remove the solder on the positive terminal first.

6. Remove the FPC from the flat cable connector ⑩.
7. Lift and remove the TX-RX unit from the chassis ⑪.



■ Removing the battery release lever from the case assembly.

1. Press the upper part of the lever toward the inside of the case assembly. One side of the shaft will be removed ①.
2. Lift and remove the battery release lever from the case assembly ②.



■ Attaching the battery release lever to the case assembly.

1. Insert one side of the shaft into the hole at the lever fitting section on the case assembly ①.

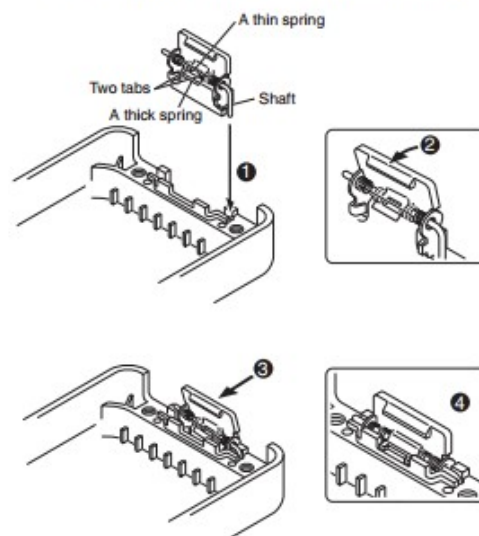
Caution: The thin spring (G01-4543-04) should be positioned above the two tabs of the lever.

2. Tilt the battery release lever slightly forward ②, so that the thick spring (G01-4542-04) is positioned below the case surface.

3. With the thick spring positioned below the case surface, attach the other side of the shaft to the case assembly by pressing the battery release lever ③ until it snaps into place ④.

Caution: Be careful not to tilt the battery release lever too forward.

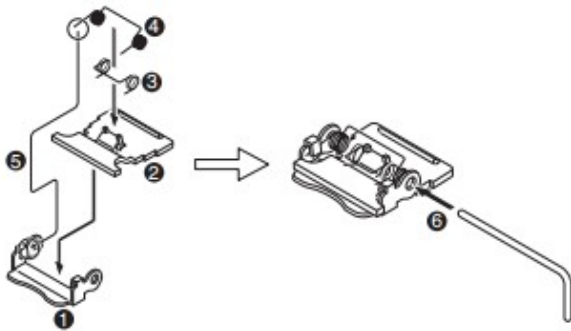
If the battery release lever is pushed in this state where the two tabs come below the case surface, there is a possibility of damaging the two tabs.



TK320I, TK330I Antenna Cover Replacement V1.1

■ Assembling the battery release lever

1. Place the lever **2** onto the stopper **1**.
2. Place the thick spring **3** onto the lever.
3. Hook the right and left ends of the thin spring **4** onto the tabs of the stopper, then place the thin spring onto the lever **5**.
4. Slide the shaft through the hole of the stopper and lever **6**.

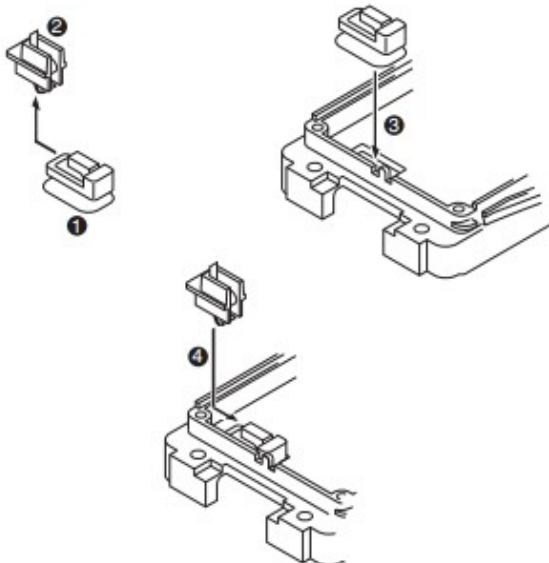


■ Cautions for assembly

1. Attaching the positive terminal to the chassis.

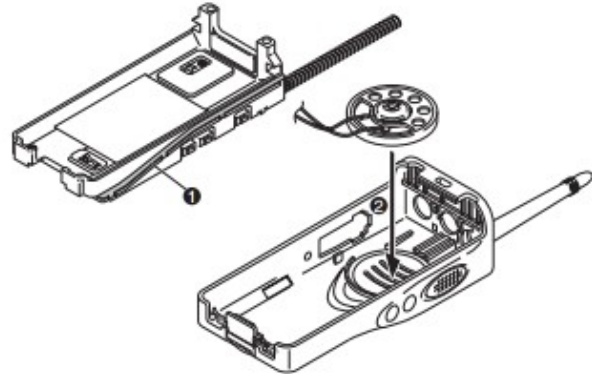
Always attach the positive terminal to the chassis, using the following procedures, before mounting the TX-RX unit onto the chassis.

1. Remove the holder assembly **2** from the packing **1** of the positive terminal.
2. Mount the packing of the positive terminal into the chassis hole **3**.
3. Mount the holder assembly into the packing of the positive terminal **4**.



2. Mounting the chassis to the case assembly.

1. Confirm that the waterproof packing attached to the circumference of the chassis is securely inserted in the groove of the chassis **1**.
2. Twist the speaker wires twice, then attach the speaker to the speaker recess of the case assembly **2**. Make sure the speaker is securely inserted.



Confirm that the waterproof packing is securely inserted in the groove of the chassis.

3. Insert the antenna element into the cover **3**.

Caution: Take care that the speaker lead wire is not caught by the microphone element.

4. Press the chassis **4** and the case assembly together to attach them.

Caution: If the packing of the SP / MIC does not come to the correct position after attaching the chassis to the case assembly, reposition the packing with your fingers.

